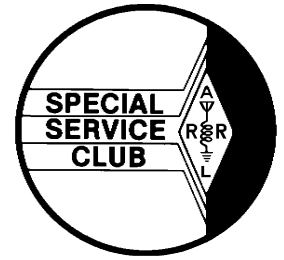


FEEDBACK

NOVEMBER 2009



COMMENTS

As you must notice, there are several important notices on this page: the note from our engineering staff of the new antenna system which should improve coverage for the SMARS club members, the announcement of time for dues collection and of great importance to several of our members living in restricted quarters, the action by the Michigan House on PRB-1.

With regard to PRB-1 in Michigan make a point of connecting with your state house representative and express your interest in the passing of HB 5556. The more people that contact the representatives the more likely they will take a favorable action.

With the wide spread concern about the H1N1 flu virus, a column is included concerning how to avoid catching the virus (or is it the virus catches you?). It had been passed on by a local retired RN who felt it to be very worthwhile study.

The presentation on fox hunting by the Branch County ARC followed by Dons exhibit of an antenna that could be easily made lead to schematics of a couple examples of DF antennas. These could be used in a device like Don exhibited or another as shown..

Included this month is an article on engine preparation for storage that had been sent in to Feedback a month ago by one of our members, Larry W8VVG. Larry fixes a lot of small motors that have fuel problems and are hard to start as a result. Larry took care of a problem in one of our generators that was a being caused by cruddy fuel. Thanks Larry!

The behavior by people when an opportunity to listen to Joshua Bell play his violin makes you wonder. Are we afraid to watch something worthwhile? Are we so driven that we will not stop and smell the roses? I cannot believe that there were so few people that had the time to stop and listen even for a few minutes.

Finally, the minutes of the club meetings and our board meeting reflect the lack of interest in club members in SMARS. We have lost two board members to unavoidable conflicts, one office was filled by a volunteer, but not the other. And we have election of officers coming up with no apparent volunteers. Being a member of any club means you participate. Never sit back and brag about having already done your part!

WA8MFL

LATE BREAKING NEWS

On November 8, Dave-AB8HK spent much of a nice afternoon 250 feet up removing the club 2-meter repeater antenna. It was replaced with a Jetstream JTB1 dual band antenna. It is expected that 2-meter coverage will remain the same and the UHF repeater should have coverage about equal to the 2 meter repeater. The ground crew, Don-W8RVT and John, KC8WMM assisted in the effort. By all means, dust off your UHF rig and use the repeater on 443.95 PL94.8. Make it worth the efforts by the antenna crew on this project!

DUES

It's getting to the end of the year and time for the collection of dues. Just a measly \$10 for a years worth of bellyaching and other enjoyable activities. Don, W8RVT, is our treasurer and will willingly send you a new membership card. Look on the bottom of the second page and you will find the mailing address. Sorry, we don't have PayPal yet to ease the financial transactions.

PRB-1 ALIVE IN MICH

House Bill # 5556, the Michigan Zoning Enabling Act, was recently forwarded to House Committee. If passed, this Bill will help codify the aspects of PRB-1 into Michigan zoning laws.

The Bill also includes a height clause (i.e. if we stay below the specified height, local governments are not allowed to challenge us except in unusual circumstances, etc.). For more information and a link to the Bill, please take a moment to review the attached MI PRB-1 Project Status Report.

There is a snag, with a Senate version of the Bill. We may need your help getting this Bill sponsored in the Senate.

Now is the time to contact your Representatives to ask them to Co-Sponsor the Bill. Their contact information and a sample Contact Letter template can be found at <http://www.prb1michigan.org/index.htm>.

Len Todd, N8AGS
MI PRB-1 Project Manager



Board of Directors

President

Bob Kingsbury
KC8PRL
Kings-boo@yahoo.com

Vice President

VACANT

Secretary

John Davidson
KC8WMM
kc8wmm@arrl.net

Treasurer

Don Larkin
W8RVT
w8rvt@arrl.net

Past President

Russ Beutler
N8UU
N8uu@mei.net

Advisory Committee

Public Information Officer

Lewis (Lou) Ryason
WB8WXS
wb8wxs@mei.net

Trustee

Russ Beutler
N8UU
n8uu@mei.net

Technical Engineer

David Gerber
AB8HK
David@mei.net

Editor

Marion Davidson
WA8MFL
wa8mfl@arrl.net

SMARS Web Site

www.w8df.com

All correspondence should be addressed to

SMARS

P. O. box 934
Battle Creek, MI. 49016

GOVERNMENTIUM

Livermore Laboratories has discovered the heaviest element yet known to science. The new element, Governmentium (Gv), has one neutron, 25 assistant neutrons, 88 deputy neutrons, and 198 assistant deputy neutrons, giving it an atomic mass of 312.

These 312 particles are held together by forces called morons, which are surrounded by vast quantities of lepton-like particles called peons.

Since Governmentium has no electrons, it is inert; however, it can be detected, because it impedes every reaction with which it comes into contact. A tiny amount of Governmentium can cause a reaction that would normally take less than a second, to take from 4 days to 4 years to complete.

Governmentium has a normal half-life of 2-6 years. It does not decay, but instead undergoes a reorganization in which a portion of the assistant neutrons and deputy neutrons exchange places.

In fact, Governmentium's mass will actually increase over time, since each reorganization will cause more morons to become neutrons, forming isodopes.

This characteristic of morons promotion leads some scientists to believe that Governmentium is formed whenever morons reach a critical concentration. This hypothetical quantity is referred to as critical morass.

When catalysed with money, Governmentium becomes Administratium, an element that radiates just as much energy as Governmentium since it has half as many peons but twice as many morons.

LIFE IN A CONTEST

Words of wisdom from the days of yore. "A clear frequency is where the needle comes off the right-hand pin a little bit." This was never more true than on 40 meters in the CQ WW Phone Contest.

HERE IS A TRUE STORY ABOUT NEIL ARMSTRONG

When Apollo Mission Astronaut Neil Armstrong first walked on the moon, he not only gave his famous "one small step for man, one giant leap for mankind" statement but followed it by several remarks, usual com traffic between him, the other astronauts and Mission Control.

Just before he re-entered the lander, however, he made the enigmatic remark "Good luck Mr. Gorsky." Many people at NASA thought it was a casual remark concerning some rival Soviet, Cosmonaut. However, upon checking, there was no Gorsky in either the Russian or American space programs. Over the years many people questioned Armstrong as to what the "Good luck Mr. Gorsky" statement meant, but Armstrong always just smiled.

On July 5, 1995 in Tampa Bay FL, while answering questions following a speech, a reporter brought up the 26 year old question to Armstrong. This time he finally responded. Mr. Gorsky had finally died and so Neil Armstrong felt he could answer the question.

When he was a kid, he was playing baseball with a friend in his backyard. His friend hit a fly ball, which landed in beneath his neighbor's bedroom windows. His neighbors were Mr. & Mrs. Gorsky. As he leaned down to pick up the ball, young Armstrong heard Mrs. Gorsky shouting at Mr. Gorsky. "Sex! You want sex?! You'll get sex when the kid next door walks on the moon!"

--Amsoft News via The W3OK Corral Newsletter, Clarence Snyder, W3PYF, Editor

Why is lemon juice made with artificial flavor, and dishwashing liquid made with real lemons?

Why is the time of day with the slowest traffic called rush hour?

Why isn't there mouse-flavored cat food?

Why didn't Noah swat those two mosquitoes?

PREVENT SWINE FLU — GOOD ADVICE

(Sent over by a retired nurse.)

Dr. Vinay Goyal is an MBBS,DRM,DNB (Intensivist and Thyroid specialist) having clinical experience of over 20 years. He has worked in institutions like Hinduja Hospital ,Bombay Hospital , Saifee Hospital , Tata Memorial etc.. Presently, he is heading our Nuclear Medicine Department and Thyroid clinic at Riddhivinayak Cardiac and Critical Centre, Malad (W).

The following message given by him, makes a lot of sense and is important for all to know.

The only portals of entry are the nostrils and mouth/throat. In a global epidemic of this nature, it's almost impossible to avoid coming into contact with H1N1 in spite of all precautions. Contact with H1N1 is not so much of a problem as proliferation is.

While you are still healthy and not showing any symptoms of H1N1 infection, in order to prevent proliferation, aggravation of symptoms and development of secondary infections, some very simple steps, not fully highlighted in most official communications, can be practiced (instead of focusing on how to stock N95 or Tamiflu):

1. Frequent hand-washing (well highlighted in all official communications).
2. "Hands-off-the-face" approach. Resist all temptations to touch any part of face (unless you want to eat, bathe or slap).
3. *Gargle twice a day with warm salt water (use Listerine if you don't trust salt). *H1N1 takes 2-3 days after initial infection in the throat/ nasal cavity to proliferate and show characteristic symptoms. Simple gargling prevents proliferation. In a way, gargling with salt water has the same effect on a healthy individual that Tamiflu has on an infected one. Don't underestimate this simple, inexpensive and powerful preventative method.
4. Similar to 3 above, *clean your nostrils at least once every day with warm salt water. *Not everybody may be good at Jala Neti or Sutra Neti (very good Yoga asanas to clean nasal cavities), but *blowing the nose hard once a day and swabbing both nostrils with cotton buds dipped in warm salt water is very effective in bringing down viral population.*
5. *Boost your natural immunity with foods that are rich in Vitamin C (Amla and other citrus fruits). *If you have to supplement with Vitamin C tablets, make sure that it also has Zinc to boost absorption.
6. *Drink as much of warm liquids (tea, coffee, etc) as you can. *Drinking warm liquids has the same effect as gargling, but in the reverse direction. They wash off proliferating viruses from the throat into the stomach where they cannot survive, proliferate or do any harm.

HOW BLIND WE ARE

DC Metro Station on a cold January morning in 2007. The man with a violin played six Bach pieces for about 45 minutes. During that time approx. 2 thousand people went through the station, most of them on their way to work. After 3 minutes a middle aged man noticed there was a musician playing. He slowed his pace and stopped for a few seconds and then hurried to meet his schedule.

4 minutes later:

The violinist received his first dollar: a woman threw the money in the hat and, without stopping, continued to walk..

6 minutes:

A young man leaned against the wall to listen to him, then looked at his watch and started to walk again.

10 minutes:

A 3-year old boy stopped but his mother tugged him along hurriedly. The kid stopped to look at the violinist again, but the mother pushed hard and the child continued to walk, turning his head all the time. This action was repeated by several other children. Every parent, without exception, forced their children to move on quickly.

45 minutes:

The musician played continuously. Only 6 people stopped and listened for a short while. About 20 gave money but continued to walk at their normal pace. The man collected a total of \$32.

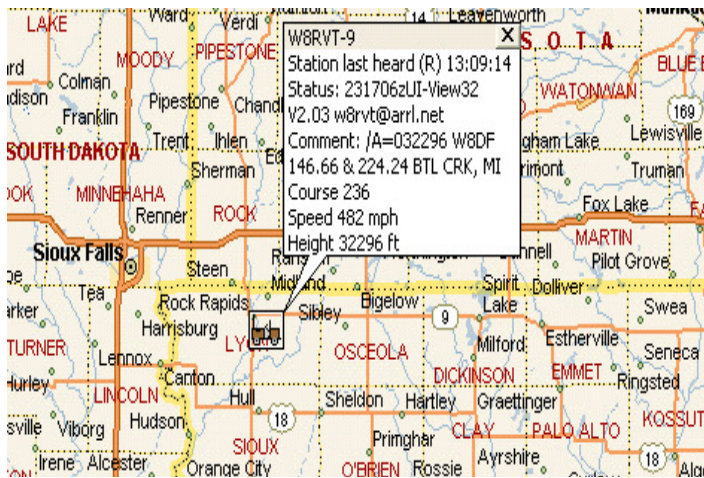
1 hour:

He finished playing and silence took over. No one noticed. No one applauded, nor was there any recognition.

No one knew this, but the violinist was Joshua Bell, one of the greatest musicians in the world. He played one of the most intricate pieces ever written, with a violin worth \$3.5 million dollars. Two days before Joshua Bell sold out a theater in Boston where the seats averaged \$100.

This is a true story. Joshua Bell playing incognito in the metro station was organized by the Washington Post as part of a social experiment about perception, taste and people's priorities. The questions raised: in a common place environment at an inappropriate hour, do we perceive beauty? Do we stop to appreciate it? Do we recognize talent in an unexpected context?

One possible conclusion reached from this experiment could be this: If we do not have a moment to stop and listen to one of the best musicians in the world, playing some of the finest music ever written, with one of the most beautiful instruments ever made.... How many other things are we missing?



WINTER IS COMING!

Sad but true. For those of us who own a gasoline operated anything here's a bit of advice.

Gasoline engines that are going to be stored or not used for more than a few weeks need to be "winterized" regardless of the season. Its a pretty simple process. What happens is gas that is left in the carburetor will in as little as few weeks turn to varnish, thus plugging up the internal workings of the carburetor (engine won't run). Putting a stabilizer in the fuel slows the process but won't stop it. The first signs are the engine will start but run only on choke, yep the carb needs to come off and be cleaned, it won't get better.

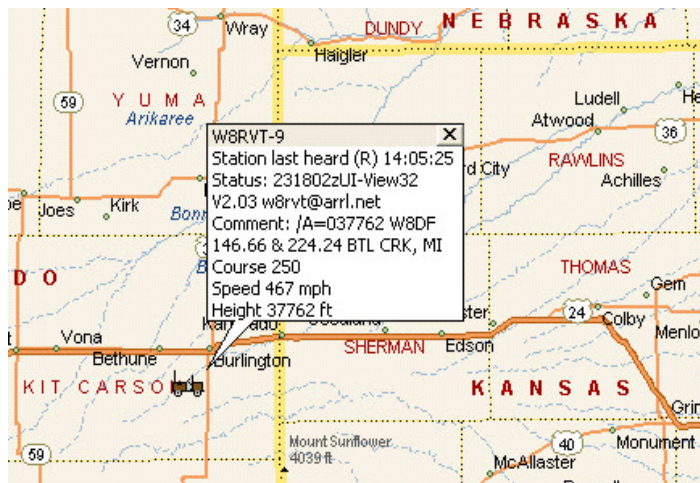
The simplest way to prevent the problems is to drain the carburetor by simply shutting off the gas and let the engine run till it dies. If the thing has a shut off valve, most don't. I

suggest you install one. The next best way is to drain the fuel tank and the carb. Even fuel left in a tank will go bad in a few months, then all you do is pour bad fuel into a carb and block it up. Most small engine carbs have a drain in the bottom of the float bowl, empty the tank and open the drain screw on the float bowl, this will eliminate problems next time you want to run the engine. Put fresh fuel in the tank and the engine will start up and run great after setting for long periods, leave fuel in it and there will be problems sooner or later.

I.E. field day generators, the fuel must be shut off and generator run till it dies. I just did the carb on the small field day generator because the gas was left on and there was yellow jello in the bottom of the float bowl, thus plugging the jets. the gas in the tanks had turned to kerosene and was on the way to varnish, adding fresh gas to old just makes it worse, it stirs up the clumps of yellow jello and allows it to go into the carb.

Any question give me a holler Irpmbt@comcast.net.

Larry W8VVG



RESONANCE

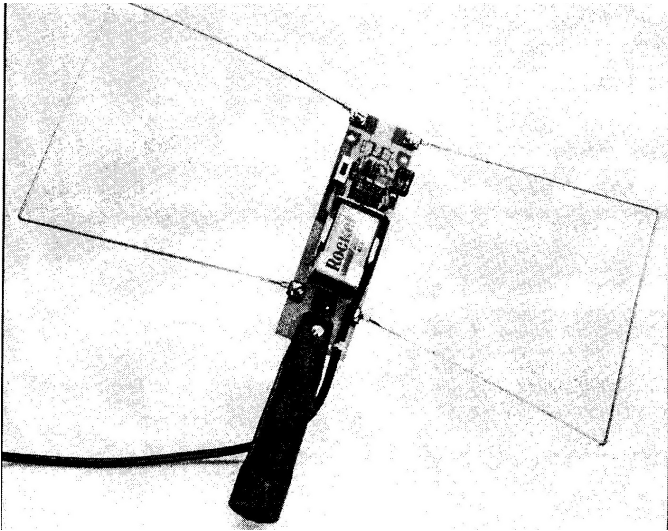
(From a discussion on the Web.)

Resonance, and/or low SWR, are by themselves unnecessary to get a good antenna that gets your signal out there. Many very good, efficient antennas are far from resonant. Resonance makes it easier to couple to, or match to, the antenna, with a nice manageable impedance.

It is indeed true that a totally randomly cut antenna might radiate poorly (even if it is resonant and/or gives you low SWR), because it sends nulls where you want signal to go, or that it has higher losses than a more carefully designed antenna. But this is not just because of it being resonant or not; it's because of having the currents where they should be so that your signal adds up rather than canceling out in the far field ... having nothing to do with it being resonant.

Being resonant, and having a low SWR, are important for getting the power from your transmitter into the antenna, and not dissipating lots of it in the feedline or in the losses of the transmatch or other tuning devices; and in that sense, they help in giving you an efficient antenna SYSTEM that gets most of your signal out into the ether. People sometimes forget about (or ignore) transmatch and feedline losses, even when they are big.

Low VSWR by itself does not mean that a vertical is operating efficiently, and if a low VSWR is obtained by the usual quick and dirty ground connection, it probably means the opposite. Or a dipole mounted at its best height should show a VSWR of about 1:5 on a modern transceiver and modifying the dipole to get the 1:1 VSWR would reduce its efficiency.



WANNA SPERMNT?

One of the little bits of knowledge we pick up as we progress in learning about radios and antennas is that the longer the antenna the better it seems to be. We also found that as the antenna got longer, it performed differently. From the simple half-wave dipole that has a maximum at right angles to the dipole at a fundamental frequency to the many lobes at other angles as we make the frequency go higher.

All this makes the amateur think about improving the antenna that is being used. That's why we see so many antennas described by amateurs. All are attempts to get a better one than the one in use.

This suggests an experiment. Because of scale, a two meter antenna will be the subject.

Question:

Can an improvement be made on the quarter wave commonly used be made?

Equipment:

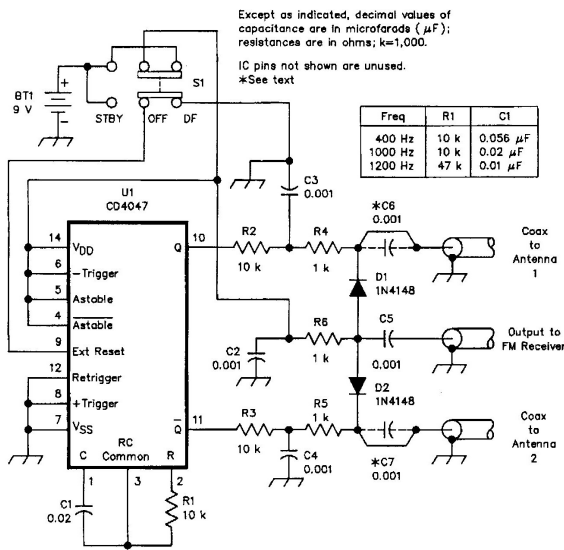
A antenna that can be extended (parts from old rabbit ear TV antennas), a field strength meter and a SWR meter.

Method:

Mount the antenna on a metal surface rigidly and feed the feedline through the metal surface keeping the feedline below the surface of the metal plane. Mount the field strength bridge also in a rigid manner several feet away at the same height as the base of the antenna. Starting with the antenna at the usual length of 19 inches, record readings from both the field strength meter and the SWR bridge as you extend the antenna about an inch at a time.

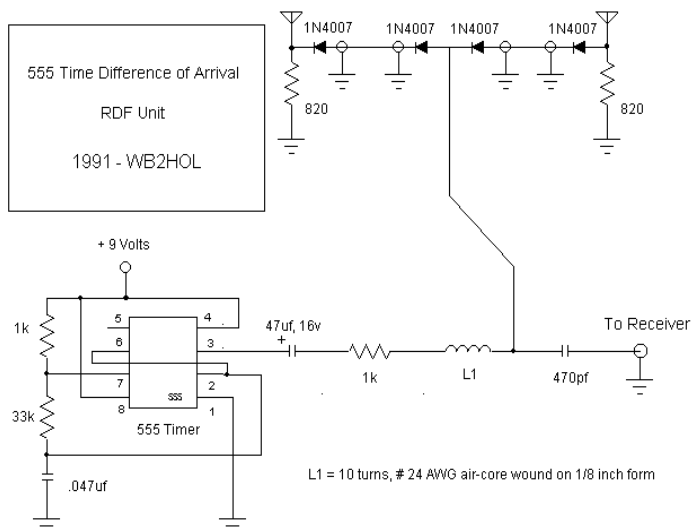
Solution:

Note that both the field strength meter and the SWR meter will change. Since you want more signal, any increase here is good as long as the SWR doesn't rise too far.



DF UNIT

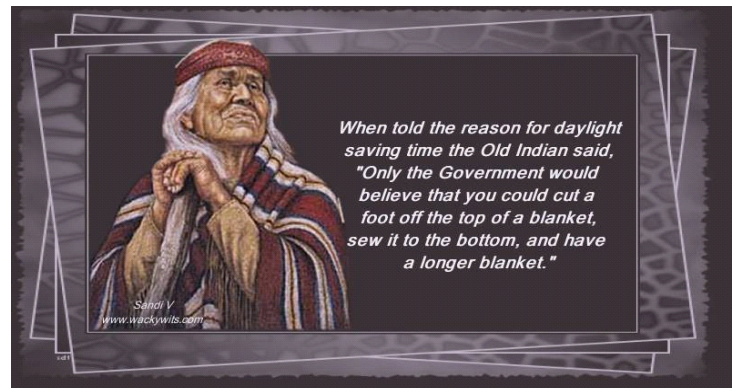
Here's a TDOA (Time Difference Of Arrival) unit much like the one that Don demonstrated at the September meeting. All parts are found easily.



'NOTHER 'SPERMNT

Fasten a small variable capacitor at the bottom of the antenna adjusting each time you extend the antenna and watch the effect while repeating the same experiment.

This explains why Arizona doesn't observe daylight savings time!



HR 2160

This is a second appeal to SMARS members. We need to get this Bill moving through the House. A similar Bill SB1127 mentioned below has been presented in the Senate.

HR 2160 has not had all the support needed by our Representatives in the House. Back on Wednesday, April 29, 2009 Representative Sheila Jackson-Lee (D-TX) introduced HR 2160, the Amateur Radio Emergency Communications Enhancement Act of 2009, in the US House of Representatives.

One of the outcomes of this bill would provide relief to the ham who must live under restrictions due to where he lives, apartments, condos, and other places with antenna restrictions. Certainly these prevent the amateur from using the capabilities that his license allows. Especially, during time of emergency needs.

To draw attention of your Representative to this bill, a well written letter to that office would help. In the letter identify the bill by number and title: HR 2160 -- The Amateur Radio Emergency Communications Enhancement Act of 2009. Keep the letter brief and stick to the topic and ask them to become a sponsor of the bill. Of course, thank them for their actions.

But writing a letter directly to the representative isn't the best way. Since the Antrax scare direct mail is often returned without ever being seen by the proper people. A much better way is through organizations having access to the Representatives.

Send your letter to:
John Chwat
Chwat & Co.
625 Slaters Ln
Suite 103
Alexandria, VA 22314

THE SENATE CHIMES IN

EmComm Companion Bill Offered in Senate On Tuesday, October 6, Senator Joe Lieberman (ID-CT), along with Senator Susan Collins (R-ME), introduced Senate Bill 1755, The Amateur Radio Emergency Communications Enhancement Act of 2009. Similar to HR 2160 -- also called The Amateur Radio Emergency Communications Enhancement Act of 2009 -- that was introduced this past April by Representative Sheila Jackson-Lee (D-TX-18), the bill, if passed, would direct the Department of Homeland Security (DHS) to undertake a study on emergency communications. S 1755 points out that "There is a strong Federal interest in the effective performance of Amateur Radio Service stations, and that performance must be given -- (A) support at all levels of government; and (B) protection against unreasonable regulation and impediments to the provision of the valuable communications provided by such stations.

ARES / RACES Report for OCT. 2009 in Calhoun County

RACES / Skywarn Nets and Training

8 Skywarn Training Nets 1hr each @ 124 People = Total 124hrs

1 SET Test 4hrs each @ 21 People = Total 84hrs

Public Service Events

1 Siren Test 1hr each @ 3 People = Total 3hrs

Administration Hours,

Total 30hrs

Emergency Operations

0 People @ 0hrs Each= 0hrs Total

Equipment Hours

2 People @ 7.5 hrs Each=15hrs Total

Travel Hours

4 hrs Total

Expenses- Out of Pocket

\$75.00 Total

Travel Miles

75 Miles Total

Members

34

Dave Smith
KC8COT
E-12
City of Battle Creek and Calhoun County
RACES, Emergency Coordinator

WHY DO WE HAVE A LICENSE?

Dan, KB6NU, makes the point that three of the founding principles of our existence include a technical aspect. As Dan says, you don't need to be a Electronics engineer, but, you're cheating yourself if you don't learn about radio technology. Don't short change yourself by ignoring any of these principles.

97.1 Basis and purpose.

The rules and regulations in this Part are designed to provide an amateur radio service having a fundamental purpose as expressed in the following principles:

- (a) Recognition and enhancement of the value of the amateur service to the public as a voluntary noncommercial communication service, particularly with respect to providing emergency communications.
- (b) Continuation and extension of the amateur's proven ability to contribute to the advancement of the radio art.
- (c) Encouragement and improvement of the amateur service through rules which provide for advancing skills in both the communications and technical phases of the art.
- (d) Expansion of the existing reservoir within the amateur radio service of trained operators, technicians, and electronics experts.
- (e) Continuation and extension of the amateur's unique ability to enhance international goodwill.

SMARS Club Meeting

October 15, 2009

SMARS Board Meeting

November 2, 2009

Called To Order: 7:04 PM

Officers Present: Bob KC8PRL Don W8RVT John KC8WMM
Russ N8UU

Pledge of Allegiance

Introductions

Secretary's Report: approved as published in Feedback.

Treasurer's Report: approved as reported at the Club Meeting.

Committee Reports:

Hamfest, Flyers have been printed. Copies are being distributed to take to other hamfests.

Field Day. Need a chairman for next year. May need a new site due to construction. Results not yet available from last year. There is a new technician's class in Ann Arbor November 7. Cost is \$10.

ARES/RACES. No report.

VE Testing. Next test October 22. No test in December.

Technical Engineer. The 440 repeater antenna was moved to SE tower leg. A new dual band antenna and duplexer were purchased. A donation was received to help pay for the antenna. Echolink and the digigate are working great.

Old Business:

The WIFI at the Masonic Temple is still not working right. Don W8RVT and Gary W8USU will work on the problem.

SMARS still needs a Vice President.

Boy Scout Jamboree or the Air is October 16 and 17. No contact from the local troops yet.

New Business:

A work party is being arranged to erect an antenna at Dave WD8CUO's home.

Drawing: Won by Gary KD8JBT who donated the proceeds back to the club.

Presentation: Don W8RVT demonstrated a direction finding antenna.

Adjourned: 8:33 PM

Respectfully Submitted,
John Davidson KC8WMM
SMARS Secretary

HAMFESTS

NOV 14-15 FORT WAYNE, IN
Indiana State Convention (Fort Wayne Hamfest & Computer Expo)

Allen County Amateur Radio Technical Society
Fort Wayne, IN Allen County war Memorial Coliseum
4000 Parnell Avenue
Talk-In 146,88

Contact: James D. Boyer, KB9IH
P.O. BOX 16342
Fort Wayne, IN 46851-0342
Phone: 260-579-2196
e-mail: chairman@fortwaynehamfestcom

DEC 6 MOUNT CLEMENS, MI

L'Anse Creuse Amateur Radio Club
Mount Clemens (Harrison Twp)
38495 L'Anse Creuse Street
Talk-In 147.08 (PL100)

Contact: Marty Folz, K8HVI
40360 Ryan Rd
Sterling Heights MI 48310
Phone: 586-268-0544
e-mail: k8hvi@arrl.net

Called to Order: 6:10 PM

Officers Present: Bob KC8PRL Don W8RVT John KC8WMM

Others: Kelly KD8LPL

Topics Discussed:

Christmas Dinner. Louie WB8WXS volunteered to contact Old Country Buffet for a date.

New Hams. Ways to draw in new hams were discussed. Included were: license classes, presentations in schools with focus on technical aspects, taking the club trailer to events to demonstrate amateur radio.

Treasurer. Because of the payment structure on the rent for the Marshall Activity Center, SMARS will have to be careful on expenditures until the Hamfest.

Hamfest. A note was received from Jim Weaver K8JE, Great Lakes Division Director, concerning illegal CB equipment sales at Hamfests. This has been a concern at several hamfests recently. Ways to discourage this were discussed.

Old Club Equipment. The old 440 repeater is stored at Dave AB8HK's dad's garage. There was debate about the best way to sell this. Input from someone experienced in online sales is being requested.

New Antenna. Up and working fine. If there is good weather, the current 2 meter antenna will be replaced by the new dual bander.

Vice President. The position is still vacant. One of the VP's duties is to head the elections committee that presents candidates to the club membership at the November meeting. With no VP, candidates will have to be selected at the November meeting.

Adjourned: 7:00 PM

Respectfully Submitted,
John Davidson KC8WMM
SMARS Secretary

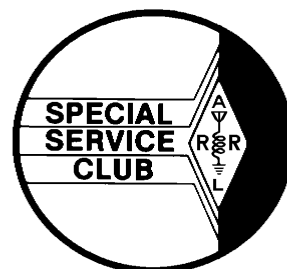
Income & Expense Statement

10/1/09 Through 10/31/09

Category Description	10/1/09- 10/31/09
INCOME	
50 50	13.50
Donations	113.50
Dues	51.00
Interest Inc: Checking	1.03
TOTAL Interest Inc	1.03
TOTAL INCOME	179.03
EXPENSES	
Feedback: Postage	17.60
Printing	42.26
TOTAL Feedback	59.86
Hamfest2010: Facility	339.00
Flyers	92.75
TOTAL Hamfest2010	431.75
Utilities: Telephone	64.08
TOTAL Utilities	64.08
TOTAL EXPENSES	555.69
TOTAL INCOME - EXPENSES	-376.66

SOUTHERN MICHIGAN AMATEUR RADIO SOCIETY

FEEDBACK



NOVEMBER 2009

SMARS
P.O. BOX 934
BATTLE CREEK MI 49016

FIRST CLASS MAIL



SMARS NETS

Before Lunch Bunch
Monday-Friday 11:30 A.M.
146.66

Sunday Evening 8:00 P.M.
146.66

Monday 7:30 P.M.
224.24

Wednesday 7:00 P.M.
443.95

Wednesday 8:00 P.M.
28.365

Saturday 8:00 P.M.
443.95

ARES/RACES/SKYWARN.NET
Monday 7:00 P.M. 147.12

ACTIVITY CALENDAR

SMARS BOARD NOV 2
SMARS BREAKFAST NOV 7
B4LUNCH BUNCH LUNCH NOV 12
HAMFEST FORT WAYNE NOV 14-15
THIS MONTH SMARS CLUB MEETING NOV 19
HAMFEST MOUNT CLEMENS DEC 6
NEXT MONTH SMARS CLUB MEETING DEC 17