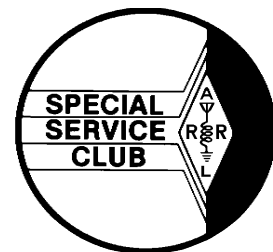


# FEEDBACK

JULY 2008



## KEEPING UP WITH ARRL

The GLD web site is totally revised and updated! You are invited to go to <http://www.greatlakes.arrl.org> to get a look at what webmeister Gary Osborne, W8XS has done.

The web site and how we plan to use it will continue to evolve. If you have suggestions of features you would like to see on the site, please let me know. Keep in mind that this is a Division site. The three Section web sites will continue to provide most of the coverage of Section information.

Thanks to W8XS for the fine work; work he has only just begun.

73, Jim

Jim Weaver, K8JE, Director  
ARRL Great Lakes Division

## RILEY HOLLINGSWORTH, K4ZDH, RETIRES

On Thursday, July 3, Special Counsel for the Spectrum Enforcement Division of the FCC's Enforcement Bureau Riley Hollingsworth, K4ZDH -- the man who has come to embody Amateur Radio Enforcement -- said goodbye to the FCC as he retired and began his life as a private citizen. In May, Hollingsworth announced he would definitely retire; he had contemplated retiring in January 2008, but cited "several issues on the table that I wanted] to continue to work through with the amateur community." While his successor has not yet been named, he was quick to point out that the FCC's Amateur Radio enforcement program will continue.

Hollingsworth said that he has "loved" working for the FCC and has "always had great jobs, but this one involving the Amateur Radio Service has been the most fun and I have enjoyed every day of it. I've worked with the best group of licensees on earth, enjoyed your support and tremendous FCC support and looked forward every day to coming to work. The Amateur Radio Enforcement program will continue without missing a beat, and after retirement I look forward to being involved with Amateur Radio every way I can. I thank all of you for being so dedicated and conscientious, and for the encouragement you give us every day."

ARRL Newsletter

## ECHOLINKS

A small slip of the fat finger and I erased W8DF-R call log on June 18. As a result, I can only report that there were 119 connections made to W8DF-R since that goof. If you examine the call log on [w8df.com](http://w8df.com), you will note many of those were from a local station attempting to fix a blocked port problem and another was a California station trying to get echolink running for the first time.

I had an interesting contact on echolink that, in my opinion, verifies that echolink is indeed amateur radio. For a reason I did not learn, a VA3 from Toronto called me. After a couple of exchanges, a WD4 from Georgia also connected. In the first couple of exchanges, I knew the reason he called me due to his questions of why cereal manufacturers can get away with putting less product in the box and raise the price. During the QSO, I learned he was blind. Turning the QSO over to the VA3, he began asking the WD4 about software used on the computer. After a couple more exchanges, I learned the VA3 is also blind. During the roundtable QSO, I was able to offer some advice regarding echolink, but the majority of the contact was between Toronto and Georgia of a technical nature. The QSO lasted some 90 minutes until I told them I needed to get to the field day site to help set up. Ham radio? No doubt!

W8RVT-Don

## FIFTH PILLAR

On Saturday, May 17 at the Dayton Hamvention, ARRL President Joel Harrison, W5ZN, plans to announce that the League will expand its identity program to include greater emphasis on technology. Harrison explained that "Ham radio operators, and particularly ARRL members, closely identify with current and emerging radio technology. Today, we are naming 'technology' as ARRL's new fifth pillar." ARRL's other four pillars, the underpinnings of the organization, are Public Service, Advocacy, Education and Membership. "For hams, expanding the four pillars to include technology will reinforce one of the organization's guiding principles -- that ham radio is state-of-the-art, innovative and relevant," he said.

ARRL Newsletter



## COMMENT

This year's Field Day was dry and warm and a chance for the bugs to come out and harass the operators. In spite of the problems that Mother nature tossed into the cooking pot, SMARS did very well in operating in the 2 A class. The crew wasn't too certain that they wouldn't get blown away a few times as the wind got carried away with itself.

A few pictures were taken showing various members at work on Field Day tasks such as the one immediately below with Larry WA8VVG and George K8GG figuring out the details on the Battle Creek special. This antenna was designed by Charley W0CD and is constantly on the move with DX expeditions that borrow it for

their next trip to an obscure island or other rare DX. Another somewhat unusual antenna that found favor with the CW contingent was the Pennant design. Oh yes, a common old tribander also was found useful.



Our CW group expanded a bit this year with three operators in their own shack as pictured below with George W8UVZ at the controls. This triumvaret of WA8VVG, K8GG and W8UVZ .

The phone group maintained a fairly consistent operation from the remodeled trailer. The computers within the unit

need some updating and KC8WMM resolved to replace these units with faster CPUs and better CRTs.

Bob, KC8PRL, as chairman of this years effort, thanks the members who took part this year for their efforts. Not only did we have our chief cook and bottle washer, Lou WB8WXS in charge of food. Bob was very happy that the mousemobile hadn't retired yet and made a combination bunkhouse for tired and weary ops but also served as refrigerator and shade.

There were a couple of unusual happenings that defy logic: a dipole for 80-40 lost its bracing and as it lay on the ground, no change in signal strength was noted and the transmitter showed no problems. Huh? We had a young lady make three contacts under supervision by her grandfather! She'll be taking her license exam soon!

In this issue you will find an article by L.B. Cebik. His voice has been lost but his work remains for those that want to learn. You will find more of his work on [www.antennex.com](http://www.antennex.com).

Finally, Ray N8CNL, a friend and remotely located member of SMARS has become a Silent Key.



### Board of Directors

#### President

Bill Booth  
KD8CDS

[Sqjumper@aol.com](mailto:Sqjumper@aol.com)

#### Vice President

Norman "Ned" Davis  
WB4BKO

[Wb4bko@arrl.net](mailto:Wb4bko@arrl.net)

#### Secretary

John Davidson  
KC8WMM

[Kc8wmm@arrl.net](mailto:Kc8wmm@arrl.net)

#### Treasurer

Elizabeth (Rene) Bush  
KC8LSI

[Kc8lsi@yahoo.com](mailto:Kc8lsi@yahoo.com)

#### Past President

Lewis (Lou) Ryason  
WB8WXS

[Wb8wxs@mei.net](mailto:Wb8wxs@mei.net)

### Advisory Committee

#### PIO

Lewie (Lou) Ryason  
WB8WXS

[Wb8wxs@mei.net](mailto:Wb8wxs@mei.net)

#### Trustee

Russ Beutler  
N8UU

[n8uu@mei.net](mailto:n8uu@mei.net)

#### Technical Engineer

David Gerber  
AB8HK

[David@mei.net](mailto:David@mei.net)

#### Editor

Marion Davidson  
WA8MFL

[wa8mfl@arrl.net](mailto:wa8mfl@arrl.net)

#### SMARS Web Site

[www.w8df.com](http://www.w8df.com)

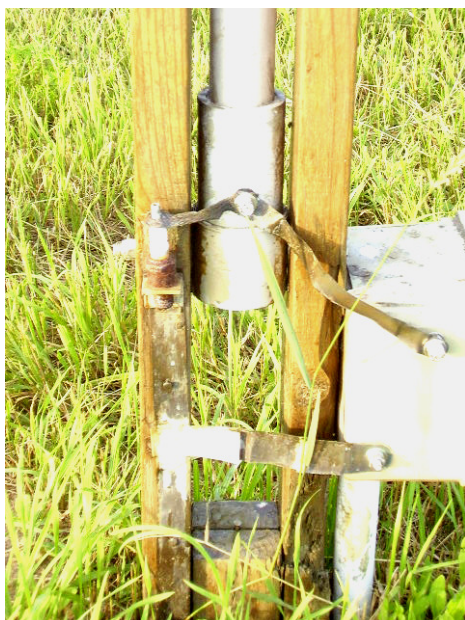
All correspondence  
should be addressed to  
SMARS

P. O. box 934  
Battle Creek, MI. 49016

## LIGHTENING ARRESTOR

Charlie Dewey, W0CD, designed a spark plug gap to go across the feedpoint of vertical antennas. He threaded a spark plug into a piece of aluminum angle bracket bolted to a ground strap and then brought a lead from the bottom of the vertical over to the top of the spark plug. He uses Autolite 55, a non-resistor spark plug. Since the aluminum is soft, he was able to make the spark plug screw into a plain hole like a self-tapping screw. The gap is set to about 0.030 inches.

Note that the wire from the base of the vertical just runs over to the top of the spark plug. The spark plug is mounted on the angle bracket which is on a copper strap on the 2 x 4 treated lumber support.



On the right side is a weather resistant electrical box with a conduit running up inside to a relay that connects the element to the coax feed and the control wires to the relay coil. When not in use the element "floats" with no connection so that it does not have any effect on the other phased verticals in the array.

This very effective lightning arrestor has proven

of value to Charlie W0CD, George W8UVZ, George K8GG and many others.

George K8GG

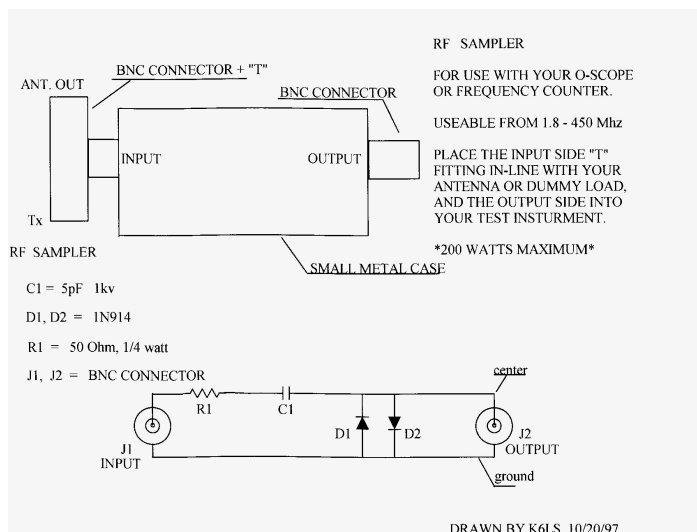
## RF CHOKE

Here's one way to make a high-efficiency RF choke. Take a 2 inch diameter PVC pipe and wind 8 ft. 3 inches of RG-58 coax on the outside. Leave no gap between the turns. 8 ft. 3 inches is just about 1/8 of a wavelength at a velocity factor of 95% on 20 meters. Since we're referring to the outside circumference of the braided shield, when it is made into a coil it develops a very large amount of inductance on 20 meters only. Now connect one end directly to the antenna and the other end to the coax that was just on the antenna. Now listen to the same Beacon referred to in the previous article. If you hear a difference in reception then this test is also clearly demonstrating that the coax is doing the majority of the reception.

From the ARRL Contest Newsletter

## RFSAMPLER

This handy little gadget will let you "look" at the signal and frequency output of your transmitter with your oscilloscope or frequency counter.



## INVERTER OR UPS?

Q: What is an inverter?

A: An inverter takes DC power (battery or solar, for example) and converts it into AC "household" power for running electronic equipment and appliances.

Q: How is an inverter different than a UPS?

A: A UPS (UNINTERRUPTABLE POWER SUPPLY) typically includes the battery and battery charger in one stand alone unit. However, there are UPSs that use external batteries, and some makers make inverters with battery chargers, so the differences blur as features proliferate. UPSs also can have communication with the equipment that it is powering letting the equipment know that it is operating on standby, giving it shutdown warning, or communicating with the human in the loop. Inverters typically don't have this communication.

Source:all-battery.com

## DEEP THOUGHTS

- 1) *Never raise your hands to kids. It leaves your groin unprotected.*
- 2) *I'm not into working out. My philosophy: No pain, no pain.*
- 3) *I'm trying to figure out why kamikaze pilots wore helmets.*
- 4) *Ever wonder if illiterate people get the full effect of alphabet soup?*
- 5) *I always wanted to be somebody, but I should have been more specific.*

## SMARS Members as of July 1, 2008

W8BAY	ADAMS, KEITH	KD8AUU	MELOCHE, DARYL L
AB8A	ARMOUR, RON	KC8EIC	MORENO, JESSE
N8UU	BEUTLER, RUSSELL H	KC8RHQ	PARSONS, BARBARA L
W8RYC	BINKLEY, KERMIT	WA8VVG	PASMAN, LARRY R
N8KNM	BLACKMAN, JAMES	W8RZY	PAYNE, LARRY L
KD8CDS	BOOTH, BILLY W	WB8JPD	PETERSON, RICHARD L
	BOOTH, BRIDGET E	KB9IAR	PROSSER, DONALD J
KC8SLI	BUSH, ELIZABETH R	KC8NZZ	PYLE, JAMES H.
KC8UJO	CHAPMAN, ALLAN W	KC8HET	RAUTMAN, KARL M
KC8NHM	CIPCIC, JAMES A	KD8FJI	REED, BRONSON
WB8GFN	CONANT, KENT L	KD8FJJ	REED, JAMES E
N8LS	COX, JACK W	WB8WXS	RYASON, LOUIS H
	CURTIS, GEOFF C	W8IER	SCHENSE, GARY F
	CURTIS, REBECCA L	K8HLQ	SCHULZ, BERT W
KC8WMM	DAVIDSON, JOHN R	N8MVV	SHELDON, JIM LEE
WA8MFL	DAVIDSON, MARION	N8TIA	SHELDON, NANCY
WA8VXE	DAVIDSON, ROSEMARY	N8LLH	SMITH, CAROLYN S
WB4BKO	DAVIS, NORMAN E	AA8GR	SMITH, DANIEL M
W0CD	DEWEY, CHARLES E JR	KC8COT	SMITH, DAVID M
W8HAM	DOMMER, CHARLIE	KD8BME	SMITH, DONNA
KC8COQ	FINDLEY, MARY L	KC8WMN	SMITH, JIM
KG8HD	FINDLEY, OSCAR	KD8CDT	SOOTSMAN, DAVID T
AB8HK	GERBER, DAVID	W8UVZ	TAFT, GEORGE E
WD8JOM	GOODIN, PAUL R	W8LTJ	TALBOT, ERIC R
KD8CIF	GOULD, ROBERT A	WA8VRA	TEW, ARNOLD E
KC8GXP	GRAY, BILL	N8GDM	THURTLER, RICHARD V
N8YEA	GREEN, ERVIN G	N8KJD	TYLER, GEORGE L Jr
K8GG	GUERIN, GEORGE	KC8NTX	TYLER, RUTH ANNE
W8AEZ	HALBERT, STEPHANIE	W8IFX	VAN ZANDT, WARREN E
N8LH	HARRIS, LEON R	WA8LRB	VANNOCKER, WALTER J
K8RFH	HILLS, ROBERT F	KC8MUF	WESTRICK, HOWARD J
KG8GZ	HOLLOWAY, JAMES R	K8GHL	WIERENGA, RICHARD G
	HOLLOWAY, VELMA	N8EHQ	WILCOX, HOWARD
KC8H	HURT, GARY P	N8HJZ	WILCOX, MAMIE E
KD8DAK	JOHNSON, JASON	KA8CXS	WILLIAMS, BEVERLY J
KM8U	JONES, HARLAN	WB8TRL	WILLIAMS, BRENT
KC8NZY	KELLOGG, DAVID	WD8LJF	WILLIAMS, CHARLES O
KC8PRL	KINGSBURY, ROBERT G	N8QC	WILLIAMS, GARY H
W8USU	KYSER, GARY	N8MVH	WILLIAMS, GINGER
KA8MZM	KYSER, JEAN	KC8FRL	WILLIAMS, TOM E
W8RVT	LARKIN, DON	WB8ZSK	WILSON, LEO B
W8FOK	LONGMAN, JERALD L	K8AEM	WILSON, WALTER J
K8CDZ	LYSTER, JOHN J	KB8ZGZ	WOODMAN, JAMES P
W8NXL	MCADAMS, ELDON	N8YJS	WOODMAN, JEFFERY L

## FAILURE

SMARS decided to attempt to send "Feedback" by e-mail as much as possible in order to reduce expenses. The editor sent e-mails to current members who had listed e-mail addresses on membership forms. The following addresses were rejected for one reason or another as listed. Members should keep records up to date. That is one part of being a member. Any corrections should be sent to the editor by e-mail at wa8mfl@arrl.net.

Subject: failure notice

I'm afraid I wasn't able to deliver your message to the following addresses. This is a permanent error; I've given up. Sorry it didn't work out.

<crossbow300@hotmail.net>:

Sorry, I couldn't find any host named hotmail.net. (#5.1.2)

<ekadams5408@aol.com>:

205.188.159.57 does not like recipient. Remote host said: 550 MAILBOX NOT FOUND Giving up on 205.188.159.57.

<achh183367@aol.com>:

205.188.159.57 does not like recipient. Remote host said: 550 MAILBOX NOT FOUND Giving up on 205.188.159.57.

<kerbink@frontier.net>:

66.118.220.43 does not like recipient. Remote host said: 550 cuda\_nsu 5.1.1 <kerbink@frontier.net>:

Recipient address rejected: User unknown Giving up on 66.118.220.43.

<bgray@net-link.net>:

216.93.66.111 does not like recipient. Remote host said: 550 5.1.1 <bgray@net-link.net>: Recipient address rejected: User unknown in local recipient table

Giving up on 216.93.66.111.

<cdewey.jr@comcast.net>:

76.96.62.116 does not like recipient. Remote host said: 550 5.1.1 Not our Customer Giving up on 76.96.62.116.

<masandena@netscape.com>:

216.200.145.235 does not like recipient. Remote host said: 550 Recipient Rejected: No account by that name here Giving up on 216.200.145.235.

<rpete@aol.com>:

64.12.138.153 does not like recipient. Remote host said: 550 MAILBOX NOT FOUND Giving up on 64.12.138.153.

<lrpmbj@comcast.net>:

76.96.30.116 does not like recipient. Remote host said: 550 5.1.1 Not our Customer Giving up on 76.96.30.116.

<wvannocker@aol.com>:

205.188.156.248 does not like recipient. Remote host said: 550 MAILBOX NOT FOUND Giving up on 205.188.156.248.

<n8ehqjr@intergate.com>:

216.139.86.3 does not like recipient. Remote host said: for <n8ehqjr@intergate.com> previously cached response: "550 5.1.1 <n8ehqjr@intergate.com>... User unknown" Giving up on 216.139.86.3.

<kc8cxs@sbcglobal.net>:

207.115.37.21 does not like recipient. Remote host said: 553 5.3.0 <kc8cxs@sbcglobal.net>... Addressee unknown, relay=[216.252.101.31] Giving up on 207.115.37.21.

<smsdlmeloche@arrl.net>:

69.183.18.219 does not like recipient. Remote host said: 550 Unknown user Giving up on 69.183.18.219.

<aa8gr@mvcc.com>:

Connected to 12.96.164.245 but connection died. (#4.4.2) I'm not going to try again; this message has been in the queue too long.

## BIZARRE ENGLISH TRANSLATIONS

& In a Tokyo Hotel: Is forbidden to steal hotel towels please. If you are not person to do such thing is please not to read notis.

& In a Paris hotel elevator: Please leave your values at the front desk.

& In a Yugoslavian hotel: The flattening of underwear with pleasure is the job of the chambermaid.

& In the lobby of a Moscow hotel across from a Russian Orthodox monastery: You are welcome to visit the cemetery where famous Russian and Soviet composers, artists, and writers are buried daily except Thursday.

& On the menu of a Swiss restaurant: Our wines leave you nothing to hope for.

& In a Hong Kong supermarket: For your convenience, we recommend courteous, efficient self-service.

& On the door of a Moscow hotel room: If this is your first visit to the USSR, you are welcome to it.

& Two signs from a Majorcan shop entrance: English well talking. - Here speaking American.

## OLDIES (NOT NECESSARILY) GOODIES

L. Cebik W4RNL

When dipping back into history (with antennas, any amateur source prior to about 1985-1990) for antenna ideas, it is wise to do some careful analysis before a. building one or b. believing what the writers say at face value. My favorite example is the excessive claims made for the 2-element HB9CV and ZL-Special antennas. The reason for the very high gain claims (up to 9 or 10 dBi free-space as we tend to count things today) is that they outperformed 3-element Yagis of the same time period (the 1950s). Writers assumed that the Yagis were obtaining close to maximum theoretical performance and the phased arrays were better. The reality was that the early post-WWII Yagis were exceptionally poor, and obtaining some F-B was mistaken for gain. The 2-element phased arrays in fact only equalled the performance of modern optimized 2-element Yagis.

So any old design deserves very careful analysis before acceptance. Some are highly worthy of use today, while other are better left on the pages where found.

LB, W4RNL

ARES / RACES Report for JUNE in Calhoun County  
RACES / Skywarn Nets and Training

5 Skywarn Training Nets	1hr each @ 85 People = 85hrs
Total NETS and Training Seminars,	85 People =85 hrs
Public Service Events	
1 Warning Siren Tests,	1.5hrs @ 15 People = 24hrs
Total Public Service Events,	15 People = 24hrs
Emergency Operations	
6 Thunder Storm Warning Net,	Total 3hrs @ 96 People = 353 hrs
Administration Hours, Total for JUNE	Total = 105hrs
Travel Hours for JUNE	10hrs
Expenses- Out of Pocket	Total = \$125.00
Travel Miles for JUNE	150 Miles
Members	34
Dave Smith KC8COT E-12 City of Battle Creek and Calhoun County RACES, Emergency Coordinator	

## ALWAYS SOMETHING NEW

Here is a simple experiment that anyone who owns a 20 meter tiny antenna can do. Temporarily mount your 20 meter tiny antenna on a 10 ft. pole. Then with your radio set on upper side band listen on 14.0992 Mhz for one of the beacons that is part of the international beacon project. <http://www.ncdxf.org/Beacon/BeaconSchedule.html>

What to listen for with the international beacon project beacons <http://www.ncdxf.org/Beacon/BeaconSchedule.html> A transmission consists of the callsign of the beacon sent at 22 words per minute followed by four one-second dashes. The callsign and the first dash are sent at 100 watts. The remaining dashes are sent at 10 watts, 1 watt and 100 milliwatts.

Listen for a strong beacon, note how many one-second dashes you can copy clearly. Next take the coax and measuring from the antenna back down the coax to 16.5 ft. raise the coax into the air 10 feet, A 1 1/2 inch PVC pipe was used. The coax should now be parallel to the ground for 16.5 ft going back to the antenna. Now listen to the same beacon again do you hear a difference in reception if so this experiment is clearly demonstrating that the coax is doing the majority of the reception.

Try the same experiment on one of the new "wonder" antennas. It might be an explanation for some of the claims made by creators.

From the ARRL Contest Letter

## BIZARRE PRODUCT WARNING LABELS

- Batman Costume - Warning:*  
*Cape does not enable user to fly.*
- European Camera -*  
*This camera will only work when film is inside.*
- Liquid Plummer - Warning:*  
*Do not reuse the bottle to store beverages.*
- Toilet Plunger - Caution:*  
*Do not use near power lines.*
- Little Ones Baby Lotion -*  
*Keep away from children*
- Hair Coloring -*  
*Do not use as an ice cream topping.*
- Boot's Children's Cough Medicine -*  
*Do not drive a car or run machinery.*



## SMARS Club Meeting

June 18, 2008

Called To Order: 7:25pm

Officers Present: Ned WB4BKO, John KC8WMM, Bill KD8CDS Lou WB8WXS

Secretary's Report: as recorded in Feedback, approved

Treasurer's Report: no report this month

### Committee Reports:

Field Day: Bob stated things are going according to plan. Setup Friday 6/27 at 1pm. George wants the CW trailer there early, as its setup is the most involved. Classification was determined to be 3A. No Hippo this year. Using NA logging program again. Bob noted that each trailer can only be operated at the highest license in the trailer. Lou asked how many to feed, usually 25.

ARES/RACES: 5 weather nets this month. Dave reported the SET score to be 1853, highest in district which was highest in state, which was highest in nation.

VE Testing: session will be 6/24. There is a possibility of a special testing session for the licensing class in July.

Hamfest: nothing new. One door prize not claimed. Announcement about tickets(?)

### Old Business:

Operation Pine Tree: went well as a dry run for Field Day. Some problems were found with the equipment in the trailer. New antennas to be made. Equipment to be inspected on Field Day. Walt offered a fiberglass pole antenna set.

### New Business:

George Taft presented a donation from Mr & Mrs. Jack Eagles. The donation consisted of: a Heathkit Code Oscillator, receiver HR10, electronics workshop and learning manuals. SMARS Secretary to write thanking them for the donation.

SMARS is missing a transceiver, taken home and not paid for. Decision needs to be taken by Board on what action to pursue.

Website is starting to have a picture gallery. Pictures taken at Field Day, or other activities welcome. Responses coming in slowly about e-mailing Feedback.

Bill apologized for being late.

Program: no program this month.

Drawing: won by Dave Kellogg (second month in a row!)

Adjourned: 8:15pm

Respectfully submitted,  
John Davidson KC8WMM  
SMARS Secretary

## SMARS Board Meeting

June 28, 2008

Informal meeting held at Field Day due to the holidays.

Called To Order: 3:30pm (approx.)

Officers Present: Bill KD8CS Rene KC8SLI Ned WB4BKO John KC8WMM Lou WB8WXS

### Items Discussed:

Field Day. Why so few club members participating? What changes need to be made for next year? Some ideas tossed out, but further discussion was tabled until a later time.

SMARS needs to have some essential filings updated for the state. John will collect info and file.

Rene reported that SMARS made more than \$2000 from the Hamfest.

Combining with money in the bank, things are looking OK for now.

Adjourned: 3:45pm (approx.)

Meeting notes are from memory.

Respectfully submitted,  
John Davidson KC8WMM  
SMARS Secretary

## HAMFEST CALENDAR

2 Aug Escanaba, MI  
Escanaba Hamfest 9 AM to 2 PM at Bay De Noc Community College, 2001 N Lincoln Rd. Admission \$5 at the door; Talk-On on 147.15(107.2 Hz) repeater.  
[www.wd8rth.dcars.org](http://www.wd8rth.dcars.org)

9 Aug Hale, MI  
Iosco County Hamfest 8 AM at Planefield Township Hall, 220 N Washington (M-66). Admission \$5 at the door; Talk-In on 146.64 repeater. VE Session.  
<http://w8icc.com> --  
contact n8ha@centurytel.net

Paul WD8JOM

## WANTED

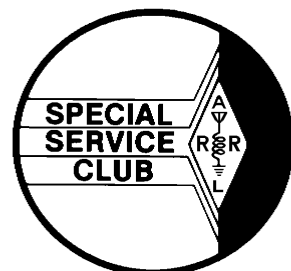
ASTRON RS-20A or  
similar HD TRANSFORMER based  
12 V DC regulated supply.  
Charlie Dewey, W0CD,  
49 Lynwood Dr.,  
Battle Creek, MI 49015,  
Phone: 269-964-7982.

SOUTHERN MICHIGAN AMATEUR RADIO SOCIETY

# FEEDBACK



JULY 2008



SMARS  
P.O. BOX 934  
BATTLE CREEK MI 49016

**FIRST CLASS MAIL**



## SMARS NETS

Before Lunch Bunch  
Monday-Friday 11:30 A.M.  
146.66

Sunday Evening 8:00 P.M.  
146.66

Monday 7:30 P.M.  
224.24

Wednesday 7:00 P.M.  
443.95

Wednesday 8:00 P.M.  
28.365

Saturday 8:00 P.M.  
443.95

ARES/RACES/SKYWARN.NET  
Monday 7:00 P.M. 147.12

## ACTIVITY CALENDAR

THIS MONTH SMARS CLUB MEETING JULY 18  
HAMFEST ESCANABA AUG 2  
SMARS BREAKFAST AUG 2  
SMARS BOARD AUG 7  
HAMFEST HALE AUG 9  
B4LUNCH BUNCH LUNCH 14  
NEXT MONTH SMARS CLUB MEETING AUG 21